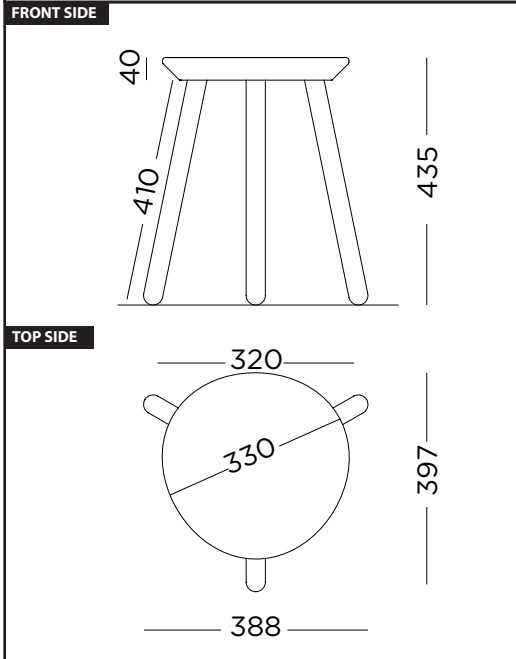


PRODUCT NAME
Naïve stool

DESIGNER
etc.etc.

BRAND
EMKO



DIMENSIONS & WEIGHTS

General Dimensions :
 W.388, D.397, H.435mm 2,5 kg

Package:
 W.495, D.480, H.75mm, 4 kg

	CODE	FINISH	
	Nstoolash	Solid ash, oiled	




PRODUCT DETAILS

Assembly	Partial assembly required
Instruction Included	Yes
Wood	Solid ash
Finish	Oiled
Pads	6 pcs.
Package	1 pcs.
Guarantee	24 months



PRODUCER



UAB EMKO
 Company no.: 302433715
 VAT no.: LT100004950210
 Address: Čiobiškio 31-31, Vilnius
 LT-07187, Lithuania

SALES

Inga Markovska
 cell: +37061418759
 inga@emko.lt