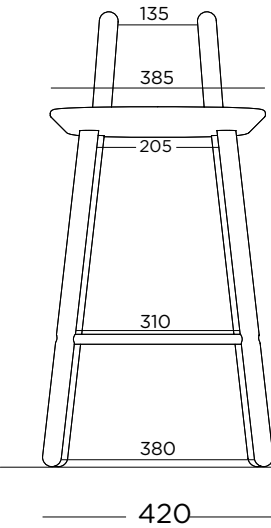
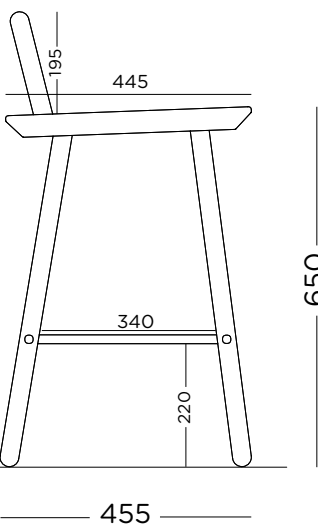









<b>PRODUCT NAME</b> <b>Naive semi bar stool</b>	<b>DESIGNER</b> <b>etc.etc.</b>	<b>BRAND</b> <b>EMKO</b>
<b>FRONT SIDE</b> 	<b>LEFT SIDE</b> 	<b>DIMENSIONS &amp; WEIGHTS</b> General Dimensions : W.420, D.455, H.820/650mm, 5,9 kg  Package: W.680, D.495, H.485mm, 9 kg

	<b>CODE</b> Nsbarash	<b>FINISH</b> Solid ash, oiled			<b>CODE</b> Nsbarblack	<b>FINISH</b> Solid ash, painted
	<b>CODE</b> Nsbargrey	<b>FINISH</b> Solid ash, painted			<b>CODE</b> Nsbarblue	<b>FINISH</b> Solid ash, painted
	<b>CODE</b> Nsbaryellow	<b>FINISH</b> Solid ash, painted			<b>CODE</b> Nsbarwhite	<b>FINISH</b> Solid ash, painted

PRODUCT DETAILS	
Assembly	Partial assembly required
Instruction Included	Yes
Wood	Solid ash
Footrest	Blackened steel
Paint	Polyurethane
Finish - For exact information please take a look according the model	
Package	1 pcs.
Pads	8 pcs.
Guarantee	24 months



<b>PRODUCER</b> 	<b>UAB EMKO</b> Company no.: 302433715 VAT no.: LT100004950210 Address: Čiobiškio 31-31, Vilnius LT-07187, Lithuania	<b>SALES</b>  <i>Inga Markovska</i> cell: +37061418759 inga@emko.lt
---	--	---